

# Agri-Fab™

Tough, reliable, affordable.

When work needs to be done on a private estate, a small farm, in the under-wood, around the marina or golf course, you can rely on Agri-Fab equipment.



EQUIPEMENTS  
**ESF**  
INC



New for 2009

## The SmartLINK™ System

Introducing the Smart series, exclusively from Agri-Fab®, the smartest ideas to hit the lawn care industry in years!

With revolutionary new designs, innovative new features and the quality you only get from Agri-Fab, these are the kinds of tools and attachments that can completely change the game. Based on consumer research and, of course, Agri-Fab's decades of experience, these products do things differently; they do things better.

And they'll keep doing them "Season After Season™."



- SmartLINK™ attachments are convenient to use, and can be easily stored - smart!
- Switch from one lawn implement to another in seconds without tools.
- Master Platform necessary for all attachments; all but plug aerator sold separately.

### SmartLINK™ system locking device



Patented locking device enables attachments to lock in and unlock in seconds without tools!

## SmartLINK™ Master Platform and Plug Aerator

- Master Platform accepts all SmartLINK™ attachments.
- Durable heavy-gauge steel deck and welded draw bar.
- Aerator features six rustproof aerator knives that penetrate deeply for a lush lawn.



Model 45-0453

## SmartLINK™ Tine Dethatcher

- Attaches to the SmartLINK™ Master Platform in seconds without tools.
- Effectively removes thatch buildup for a healthier lawn.
- 20 heat-treated spring tines for durability.



Model 45-0457

## SmartLINK™ Poly Roller

- Attaches to the SmartLINK™ Master Platform in seconds without tools.
- Easy to use roller flattens uneven ground or grass.
- Levels sod, seed, frost heaving and more.
- Drum capacity - 222lb. (water).



Model 45-0459

## SmartLINK™ Turf Shark Curved Blade Aerator

- Attaches to the SmartLINK™ Master Platform in seconds without tools.
- Patented Turf Shark™ design combines the best features of a plug aerator and a spike aerator.
- 10 galvanized blades for rustproof durability.



Model 45-0458



## Dump Steel Carts

Agri-Fab steel dump carts are capable of carrying loads from 500 to 1 500 lbs when weight is evenly distributed. They range in size from 10 cubic feet to 17 cubic feet and make a great choice for heavy duty applications.

Whether the job is getting rid of yard refuse, hauling firewood, moving sand or dumping gravel, the Agri-Fab dump steel cart will perform a variety of tasks safely, reliably and efficiently for years to come. Agri-Fab dump steel carts come with these features:

- An easy single lever dump mechanism
- Reinforced tailgate guides for added strength and durability
- A tough powder coated finish
- Yellow dichromate rust resistant hardware

Note that Agri-Fab carts are designed for lawn & garden and off-road use only.



45-0303



45-0101-999



45-0100

### Specifications

	45-0303	45-0100	45-0101-999
Maximum load	500 lbs	650 lbs	750 lbs
Bed size (width x length x height)	82.5 x 108 x 30.5 cm (32.5" x 42.5" x 12")	82.5 x 108 x 30.5 cm (32.5" x 42.5" x 12")	82.5 x 124.5 x 30.5 cm (32.5" x 49" x 12")
Bed steel gage	20	20	19
Removable tailgate steel gage	22	19	19
Wheel axle diameter	5/8"	3/4"	3/4"
Wheel size	14" x 4"	14" x 4"	16" x 4"
Type of wheel	pneumatic	pneumatic	pneumatique
Tire tread	rib	rib	rib
Grease zerks	no	no	yes
Color	black	black	black

## Dump Steel Carts

**IMPORTANT :** Agri-Fab ATV products are designed for off-road use only and are to be used at speeds between 5 and 32 km/h (3 and 20 mph). Specific products must be used at slower speeds to function properly. Please consult your ATV's operator manual for towing weight capacities and recommended operating speeds while towing.



45-0350



45-0184



45-0217

### Specifications

	45-0184	45-0350 (for ATV)	45-0217 (for ATV)
Maximum load	1500 lbs	1000 lbs	1500 lbs
Bed size (width x length x height)	92.7 x 155 x 35.6 cm (36.5" x 61" x 14")	82.5 x 155 x 30.5 cm (32.5" x 61" x 12")	92.7 x 155 x 35.6 cm (36.5" x 61" x 14")
Bed steel gage	18	16	18
Removable tailgate steel gage	18	19	18
Wheel axle diameter	1"	1"	1"
Wheel size	16" x 6.5"	18" x 9.5"	18" x 9.5"
Type of wheel	pneumatic	pneumatic	pneumatic
Tire tread	turf	knobby	knobby
Grease zerks	yes	yes	yes
Color	dark green	dark green	dark green

## Polyethylene Carts

Agri-Fab polyethylene carts can handle anywhere from 500 to 650 lbs and make a great lightweight choice. They resist scratches and rust, are easy to dump and make less noise over rough terrain. Polyethylene carts have these features:

- A convenient, one-lever dump mechanism
- Rust-resistant, yellow dichromate hardware
- Black, vacuumed formed bed using only quality polyethylene

Models 45-0330, 45-0377 and 45-0378 have a bed molded to accept optional wooden dividers. The template for dividers construction is included.



45-0345

- Easily convert from a push cart to a tow cart by simply unfolding the hitch.



45-0175

### Specifications

45-0345	
Maximum load	500 lbs
Bed size (width x length x height)	77.5 x 41 x 28 cm (30.5" x 41" x 11")
Capacity	8 ft <sup>3</sup>
Wheel axle diameter	5/8"
Wheel size	14" x 4"
Type of wheel	pneumatic
Tire tread	rib
Grease zerks	no

### Specifications

45-0175 (For ATVs)	
Maximum load	650 lbs
Bed size (width x length x height)	76 x 114 x 30,5 cm (30" x 45" x 12")
Capacity	-
Wheel axle diameter	1"
Wheel size	18" x 9,5"
Type of wheel	pneumatic
Tire tread	à crampons
Grease zerks	yes



## Garden and Farm Carts

Agri-Fab garden carts are perfect for moving flowers, shrubs, tools and other materials around the yard. They easily haul and dump firewood, topsoil and yard waste. Easy grip, large diameter tubular handles make for effortless work.



45-0176  
45-0177



45-0226

### Specifications

	45-0176	45-0177	45-0226
Maximum load	300 lbs	400 lbs	300 lbs
Capacity	7 ft <sup>3</sup>	14 ft <sup>3</sup>	6 ft <sup>3</sup>
Wheel axle diameter	3/4"	3/4"	3/4"
Wheel size	20"	26"	20"
Type of wheel	pneumatic	pneumatic	pneumatic
Removable front panel	yes	yes	no
Material	wood	wood	polyethylene
Color	green or black	green or black	black

## Tine Dethatchers

Excessive watering, over fertilizing with nitrogen and heavy use of insecticides and fungicides may decrease the populations of soil organisms required to keep thatch levels down. Tine dethatchers do a gentle job of bringing matted layers of thatch and large clippings to the surface for a healthy lawn. The steel tines penetrate the thatch and pull it to the surface much like the teeth of a hand held rake but the tractor does the work for you. Additional weight can be added to the weight tray to reach the soil surface if the thatch build up is excessive. Both dethatchers are equipped with a simple-to use single-lever wheel engaging lever for easy transport.



### Specifications

	45-0294	45-0295
Width	40"	48"
Tines	20	24
Wheel size	7" x 1,5"	7" x 1,5"
Type of wheel	semi-pneumatic	semi-pneumatic



## Tow and Push Lawn Sweepers

Make a clean sweep of leaves, grass clippings, lawn debris and more with one of Agri-Fab's dependable lawn sweepers. These tow-behind models make quick work of just about any pick-up task and do a thorough, efficient job the first time around. Universal pin type hitch lawn fit any tractor on the market. Unique design makes dumping of debris from the tractor seat easy. Hopper capacities range from 7 ft<sup>3</sup> to 12 ft<sup>3</sup> and ensure versatility in use from big jobs to small. Infinite brush height adjustment allows clean pick-up of materials from a variety of surfaces regardless of grass length.

45-0218: poly construction is durable and lightweight making it easy to push, rust resistant and easy to clean after use.



45-0218



45-0331

### Specifications

	45-0218	45-0331
Width	26"	38"
Hopper capacity	7 ft <sup>3</sup>	12 ft <sup>3</sup>
Brush to wheel ratio	4.5:1	4.5:1
Wheel size	10" x 1.75"	10" x 1.75"
Type of wheel	semi-pneumatic	semi-pneumatic
Brush diameter	10"	10"

## Tow and Push Lawn Sweepers



45-0326



45-0320

### Specifications

	45-0320	45-0326
Width	42"	46"
Hopper capacity	12 ft <sup>3</sup>	12 ft <sup>3</sup>
Brush to wheel ratio	5.1:1	5.1:1
Wheel size	11" x 2.5"	11" x 2.5"
Type of wheel	semi-pneumatic	semi-pneumatic
Brush diameter	10"	10"



45-0343

### Front Mount Tine Dethatcher for Lawn Sweepers

Complete meticulous lawn grooming in record time with the optional front mount dethatcher for Agri-Fab lawn sweepers. Rake up layers of grass clippings and lawn debris sweeping them into the hopper bag in one pass.  
 Fits: 45-0337, 45-0331, 45-0320 and 45-0326.



## Tow Steel Lawn Rollers

Whether you need to tackle uneven ground from moles and frost heaving or pack down newly sown seed or sod, an Agri-Fab roller makes any job go smoothly. When filled with water steel drums are unmatched in weight distribution. The 1" brass plug is easily removed without tools.

**IMPORTANT :** Consult ATV owner's manual for towing capacity.



45-0179



45-0216

### Specifications

	45-0179	45-0216
Roller diameter	24"	24"
Roller width	36"	48"
Maximum weight (with water)	640 lbs	910 lbs



45-0267



45-0268

### Specifications

	45-0179	45-0216
Roller drum diameter	24"	24"
Roller drum width	36"	48"
Maximum weight with water	640 lbs	910 lbs

## Push Broadcast Spreaders

Spread everything from fertilizer to seed to ice melters and more with one of Agri-Fab's extensive line of spreaders. Durable polyethylene hopper, coated components and long-lasting plastic closure plates resist corrosion. Tow spreaders of 100 lbs and more are equipped with an easy on/off steel flow control rod. The control lever is easy to reach from the driver seat.

Broadcast spreaders cut down on the number of passes necessary to fully cover your lawn due to their wide distribution pattern (up to 12 feet). Because of their random distribution pattern, over-fertilizing and under-fertilizing are reduced.



45-0214



45-0210

- A vinyl cover is included.
- Expanded metal screen and agitator keeps heavier materials from clumping.

### Specifications

	45-0388 (not shown)	45-0214	45-0210
Capacity	85 lbs	100 lbs	125 lbs
Surface covered	1 300 m <sup>2</sup> (14 000 ft <sup>2</sup> )	1 625 m <sup>2</sup> (17 500 ft <sup>2</sup> )	2 323 m <sup>2</sup> (25 000 ft <sup>2</sup> )
Spread width	2.4 to 3 m (8 to 10')	2.4 to 3 m (8 to 10')	3 to 3.7 m (10 to 12')
Drive type	-	acetal gear	acetal gear
Tire size	10" x 1.75"	10" x 4"	14" x 4"
Type of tire	pneumatic	pneumatic with ball bearings	pneumatic with ball bearings

### Déflector Kit

The deflector is made of tear resistant vinyl material. Six stainless steel clips attached to pre-existing bolts maintains the deflector in place. It attaches and removes within seconds (once stainless steel clips are in place). The deflector narrows spread width to 4" which is ideal to spread ice melts on sidewalks. It can be attached to 45-0214, 45-0210, 45-0215, 45-0211, 45-0187 and 45-0329 spreaders.



65353

## Tow Broadcast Spreaders



45-0315



45-0215



45-0211



45-0187

### Specifications

	45-0315	45-0215	45-0211	45-0187
Capacity	85 lbs	100 lbs	125 lbs	175 lbs
Surface covered	1 319 m <sup>2</sup> (14 200 ft <sup>2</sup> )	1 625 m <sup>2</sup> (17 500 ft <sup>2</sup> )	2 323 m <sup>2</sup> (25 000 ft <sup>2</sup> )	3 716 m <sup>2</sup> (40 000 ft <sup>2</sup> )
Spread width	2.4 to 3 m (8 to 10')	2.4 to 3 m (8 to 10')	3 to 3.7 m (10 to 12')	3 to 3.7 m (10 to 12')
Drive type	Delrin gear	acetal gear	aluminium gear	heat-treated steel gear
Tire size	10" x 4"	10" x 4"	14" x 4"	16" x 4"
Type of tire	pneumatic	pneumatic	pneumatic	pneumatic

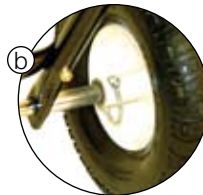
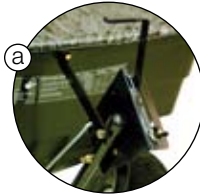
## ATV Broadcast Spreaders

**IMPORTANT :** Agri-Fab ATV products are designed for off-road use only and are to be used at speeds between 5 and 32 km/h (3 and 20 mph).



Tow spreaders for ATV contain these features:

- Raised flow control handle accessible from ATV seat (a)
- Easily attaches to ATVs with a pin type rear hitch.
- Long lasting plastic closure plate insures proper operation and resists corrosion.
- Pull pin for free wheeling speedy transport (b)
- Vinyl cover



## Specifications

	45-0324 (mounted)	45-0329 (towed)	45-0364 (towed)
Capacity	125 lbs	175 lbs	250 lbs
Surface covered	2 323 m <sup>2</sup> (25 000 ft <sup>2</sup> )	3 716 m <sup>2</sup> (40 000 ft <sup>2</sup> )	5 110 m <sup>2</sup> (55 000 ft <sup>2</sup> )
Spread width	3 to 3.7 m (10 to 12')	3 to 3.7 m (10 to 12')	3 to 3.7 m (10 to 12')
Drive type	12 volt sealed motor	heat-treated steel gear	
Tire size	-	15" x 6"	15" x 6"
Tire type	-	pneumatic. with ball bearings	pneumatic. with ball bearings

Mounted spreader for ATV contains these features:

- 12 volt wiring harness with on/off switch which can be easily positioned within reach
- Mounting clamps that fit most ATVs with rear racks
- Long lasting stainless steel closure plate insures proper operation and resists corrosion
- Powder coated steel tube frame resists corrosion
- Spreader grate



45-0324

## Tow Spikers/Seeders/Spreaders

Drop spreaders are best for seeding a yard due to the consistent metering and distribution pattern of the seed. They are also good for applying granular herbicides near flower beds and shrubs since the distribution is limited to the area between the wheels; this prevents overthrow onto ornamental beds.

The spreaders 45-0301 and 45-0309 save valuable time and space by doing two jobs with one piece of equipment.



45-0288



45-0301

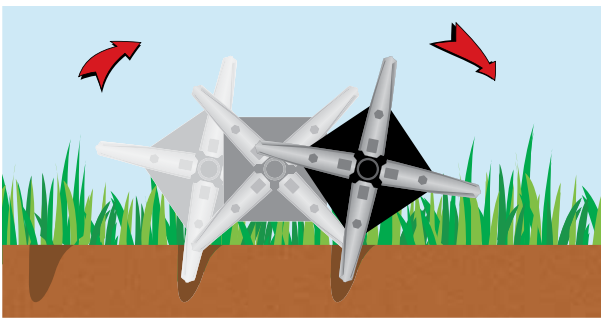
### Specifications

	45-0301 (for professional use)	45-0288 (seeder/spreader)
Capacity	175 lbs	175 lbs
Surface covered	3 716 m <sup>2</sup> (40 000 ft <sup>2</sup> )	3 716 m <sup>2</sup> (40 000 ft <sup>2</sup> )
Spread width	42"	42"
Tire size	10" x 1.75"	14" x 4"
Tire type	Semi-pneumatic	Pneumatic
Disc diameter	7"	-
Number of discs	12	-

## Plug Aerators

Plug aerators remove 3/4" diameter soil plugs from the lawn, allowing compacted soil to loosen up in addition to the benefits provided by a spike aerator. Best for easily compacted soil (like clay), heavy-traffic areas (playgrounds and sports fields) and burned out, drought-damaged lawns. All plug aerators come standard with the following features:

- The weight tray can handle from 4 to 5 standard-size concrete block for deeper penetration with convenient strap-down points
- A simple-to-use single-lever wheel engaging lever for easy transport accessible from tractor seat
- The factory sharpened coring points are the heaviest in the industry



Agri-Fab plug aerators will extract 3/4" diameter by up to 3" long cores of soil and deposits them on your lawn. The benefits core aeration are:

- Increase in the availability of water, oxygen and nutrients in the soil and therefore stimulation of root growth and overall lawn health
- Increase of the activity of thatch-decomposing organisms
- Reduction of water, fertilizer and pesticide run-off



45-0299

### Specifications

45-0299	
Working width	48"
Number of spools	8
Heat-treated, galvanized points	32
Aeration depth	3"
Wheel size	10" x 4"
Type of wheel	pneumatic

## Spike Aerators

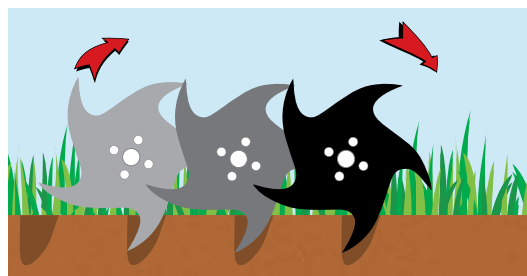
Spike aerators use a series of rotating star-shaped tines that slice into the soil to allow seed, fertilizer, water, air and nutrients to reach the grass roots.



45-0365



45-0369



### Specifications

	45-0365 (walk behind)	45-0369 Turf Shark
Working width	16"	40"
Number of spike wheels	5	12
Spike wheels diameter	7"	9"
Spikes	Straight	Curved
Aeration depth	2.5"	3"
Wheel size	-	7" x 1.5"
Type of wheel	-	semi-pneumatic



## Lawn Vacs

The Agri-Fab Mow-N-Vac and Chip-N-Vac offer proven performance at a fraction of the price of the competition. Both models use the same optional remote hose kit to vacuum under and around shrubbery, decks, landscape rocks and flower beds. They also easily fit any tractor cutting deck up to 54" wide that discharges from the right hand side. They both have a vented polyethylene hard top cover with steel base and sides.

The built-in chipper of model 502492 turns twigs and branches up to 2" in diameter into mulch.



501887



502492

### Specifications

	501885	502492
Engine	6.5 hp, OHV Intek I/C Briggs & Stratton	8hp, Tecumseh
Capacity	0.9 m <sup>3</sup> (32 ft <sup>3</sup> )	0.9 m <sup>3</sup> (32 ft <sup>3</sup> )
Deck adapter kit	included	included

### Optional Remote Hose Kit

The optional remote hose kit fits models 501885 and 502492. It facilitates clean-up around shrubs, under decks, planting beds and other places not accessible with the tractor deck. The hose can easily be attached via wing nuts to unit without tools. Dimensions: 12,5 cm (5 in) diameter x 3 m (10 feet) long.



45-0253

## Tow Sprayers

From spot weed control to large area fertilization, our complete line of sprayers offers the efficiency, capacity and safety you need for just about any spraying job. All have easy -to-grip handgun hoses for efficient operation and complete control in liquid spray direction.

You can quickly apply herbicide, insecticides and other lawn products on turf, trees and scrubs. It's faster because a tow behind gives you five times the capacity of the smaller hand held sprayers. It's easier because you simply connect the wiring to your tractor or ATV battery, turn it on and spray away. The recommended towing speed for sprayers is 5 to 32 km/h (3 to 20 mph).



45-0325



45-0325



45-0292  
45-0293



Sprayer 45-0325 has spring loaded break-away boom arms that will fold back when striking an obstacle and spring back into position.

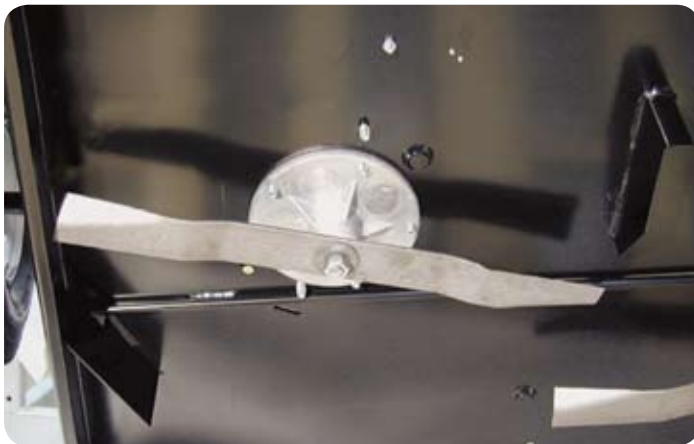
### Specifications

	45-0292 ( professional)	45-0293 ( professional)	45-0325
Capacity	15 gallons	25 gallons	45 gallons
Pump	12 volt (7 amp)	12 volt (7 amp)	12 volt (5 amp), with fuse
Battery connection wires	included	included	included
Coiled hose length	15'	15'	15'
Spray wand	included	included	included
Output	1.8 gallons per minute	1.8 gallons per minute	3 gallons per minute
Drain plug	no	no	no
Spray width	80", including boom arms	80", including boom arms	160", including boom arms
Wheel size	10" x 4"	14" x 4"	18" x 9.5"
Type of wheel	pneumatic	pneumatic	pneumatic
Easy reach in-line switch	yes	yes	yes
Heavy duty steel frame construction	no	no	yes

## Rough Cut Mowers



Both rough cut mowers feature chains on the front of the mower deck to prevent material from flying forward while cutting. The chains don't lay down grass and brush as the front of the mower passes over so the blades can cut all the material evenly.



Both rough cut models feature dual 5.5 lb, break-away blades designed to break back when striking an immovable object, while allowing the engine to keep right on running. This prevents damage to the drive system and allows the second blade to chop material that may have been too much for the first blade alone. They can cut up to 2" sapplings



Both rough cut mowers feature a swivel hitch point and will offset from 0 to 23" allowing you to maximize the cutting width.

## Rough Cut Mowers



45-0361



45-0362

### Specifications

	45-0361	45-0362
Engine	12.5 hp Briggs & Stratton	14.5 hp Briggs & Stratton
Type	OHV	OHV
Cutting width	42"	42"
Height adjustment	1.5 to 5"	1.5 to 5"
Starter	pull start	electric
Blades	2	2

## Universal Tow-Behind Tiller

This powerful 6,5 hp tiller handles any soil condition. The universal hitch allows connection to lawn or garden tractors above 12 hp and most ATV's with a drawbar hitch. The unique design allows standard tractor wheel weights (sold separately) to be attached to the fenders, preventing jumping under really tough soil conditions and during sod busting. Forward rotation tiller and spring loaded hitch reduces stress on tractors and ATVs. No sleeve or three point hitch are necessary, making this a great garden attachment for the home owner and the more serious gardener.



45-0308

### Specifications

#### 45-0308

Engine	6,5 hp, Briggs & Stratton engine
Type	OHV Intek I/C
Height adjustment	1,5 to 5,5" in depth
Tines	Six, one-piece, heavy-duty tines
Tine diameter	11"
Width	36"
Overall width	38,25"

## Sleeve Hitch Attachments

### Row Crop Cultivator

Square steel tubing frame can be used as a weight tray for added ground breaking penetration. Spring tine plow has adjustable depth control skids.



45-0264

#### Specifications

45-0264

- Sturdy steel frame construction
- 7 spring steel tangs adjustable from 18" to 42"
- Requires sleeve hitch for operation

### Disc Cultivator

The disc cultivator includes a tandem hitch for adding another cultivator.



45-0266

#### Specifications

45-0266

- Sturdy steel frame construction
- Adjustable from 30" to 38"
- Eight 11" discs that angle from 10 to 20 degrees
- Weight tray for added ground breaking penetration
- Requires sleeve hitch for operation

### Box Scraper Blade

Square steel tubing frame can be used as a weight tray for added ground breaking penetration. The box scraper is reversible 180° for pushing or dragging material and can be angled at 30° in either direction to roll dirt or snow to the side.



45-0265

#### Specifications

45-0265

- Sturdy steel frame construction
- Working width: 42"
- Blade: 3/16" steel construction with forged points
- Adjustments: angles 30° in either direction
- Reversible 180° for pushing or dragging material
- Requires sleeve hitch for operation

### Rock Rake

The rock rake is designed to be used on garden tractors fitted with a sleeve hitch. It is the ideal tool for removing debris such as brush, sticks, and rocks from project areas. It is also good for seedbed preparation. The tines can be angled left or right for use in a variety of applications.



45-0366

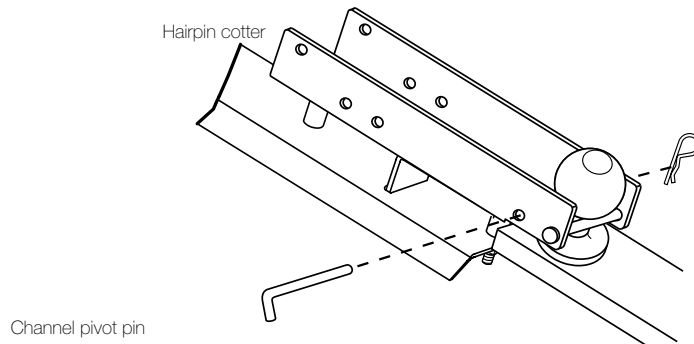
#### Specifications

45-0366

- Sturdy steel frame construction
- Working width: 48"
- Tangs: 1/4", heat treated steel
- Adjusts at 24 degree angle in either direction
- Requires sleeve hitch for operation

## Winter Accessories

### Ball Hitch Adapter



45-0393

#### Specifications

45-0360

- Can adapt on either a 1-7/8" or 2" receiver ball
- Fits on the neck of the receiver ball. Simply remove the channel pivot pin, lift over receiver ball and replace channel pivot pin.
- Comes standard with most Agri-Fab ATV/UTV attachments.

---

### ATV Snow Cab

The Agri-Fab snow cab has a convertible nylon top which easily rolls back. A mesh top help vent some of the engine heat while keeping the insects away. Double polished clear front, side and rear panels are crack resistant to -30°C. Cab material is made of 600 Urethane coated polyester twill and is tear resistant. This durable construction yet light weight is strong enough to stand up most of Mother Nature's conditions. Its design allows for either attachment or removal from ATV in seconds. Takes up very little room when stored off of the ATV.



45-0391

45-0391